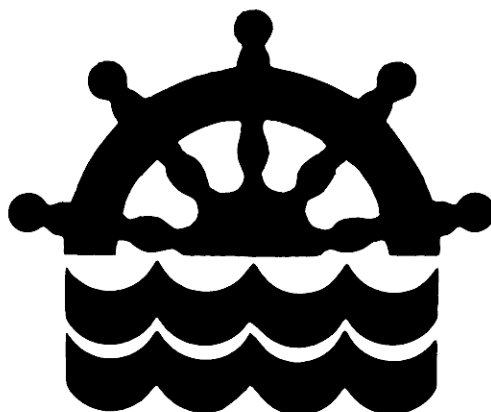


RS422 Amplifire

Operation
and
Installation
manual

V.1 April 2003



SCAN-STEERING

1. Description.

The RS422 amplifire are used when two or more items must share a NMEA signal from a gyro compass, NAV system or autopilot. The amplifire contains 1 input and 4 outputs. It's contains no intelligent modules and can therefore be jused with any RS422 signal.

2. Installation.

The RS422 amplifire is very easy to install, its only require 24Vdc and RS422 concetion. Figure 2 below describe the connection of the amplifire.

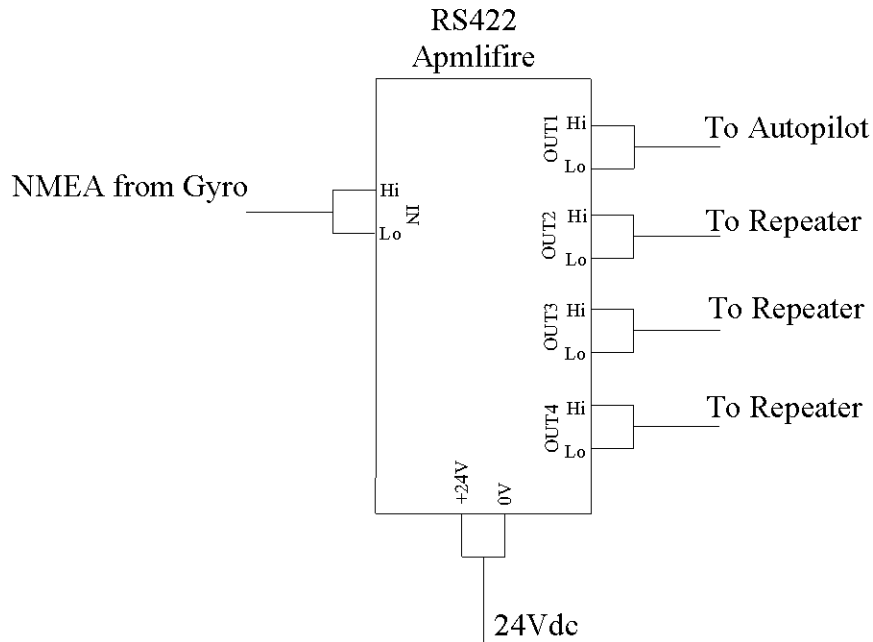


Figure 2.

3. Specifications.

Supply voltage	12-28 V
Supply current	< 300 mA
Input current	< 8 mA
Output current	4 x ≤50mA
Baud range	300 – 56.000 Baud