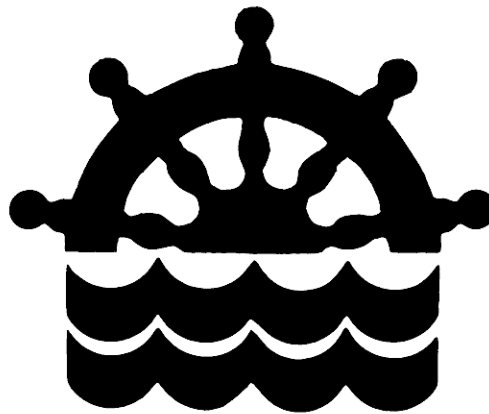


V500D/DS Watch alarm

Operation
and
Installation
manual

V.1 April 2004



SCAN-STEERING

CONTENTS

1. V500D/DS - a brief description.....	3
2. V500D/DS front overview.....	4
2.1. DIMMER.....	4
2.2. On lamp.....	4
2.3. Buzzers.....	4
2.4. Key-switch.....	4
2.5. Reset.....	4
3. Configuration.....	5
3.1. Configuring of times.....	5
3.2. Configuring of V500DS connected with movement detector.....	5
4. Functions.....	6
4.1. Watch alarm.....	6
4.2. Emergency alarm.....	6
4.3. Power fail alarm.....	6
5. Technical data.....	7
5.1. Terminal overview.....	7
5.2. Movement detector.....	7
6. Dimensions.....	8
7. Connection of detectors.....	9
8. Connection of remote units.....	10

1. V500D/DS - a brief description.

The V500D and V500DS are both digital watch alarms, designed to the conditions on a ships bridge. The V500D and V500DS are delivered with a bracket for mounting. It is also possible to panel mount the watch alarm. The V500DS is also delivered with a movement detector.

The watch alarm is provided with 2 pcs. 88dB Buzzers, with a 40mm Reset button that also gives a visual alarm and with a key-switch used for selecting one of the 3 modes (off, 10 min. and 15 min.).

It is possible to supply an autopilot from the V500D/DS, also the V500D/DS is provide with a potential-free relay output. The watch alarm is prepared to external reset- and alarm units.

The V500D/DS watch alarm only needs 24V DC supply to operate.

2. V500D/DS front overview.

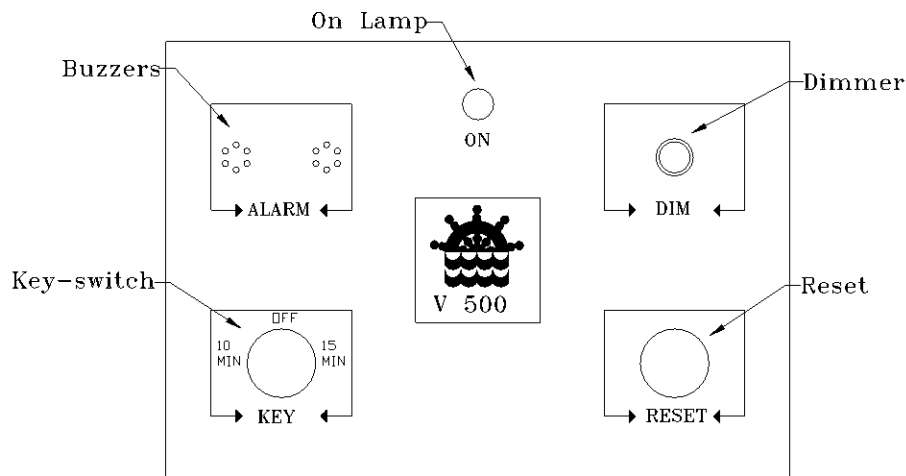


Fig. 2.1.

2.1. DIMMER.

The dimmer button is used for controlling the intensity of the on lamp.

2.2. On lamp.

The On lamp is a indication of that the watch alarm is on, either in 10 min. or 15 min. mode.

2.3. Buzzers.

The Buzzers are giving the acoustic alarm.

2.4. Key-switch.

The Key-switch selects which mode the watch alarm is in. The alternatives is OFF, 10 min. or 15 min.

2.5. Reset.

The Reset switch is used to reset the alarm, and must be activated every time the alarm gives signal as a minimum. If the Reset switch is activated before an alarm comes up, the time is restarted. The Reset switch can also be kept in for more then 1 seconds and a emergency alarm will be given on the sub alarms. This function can be used if the mate on the bridges needs assistance.

3. Configuration.

3.1. Configuring of times.

On the Print board inside the V500D/DS is placed 3 switches. With those switches the time intervals can be selected:

SW1 determine the time from a reset push to pulse alarm when the key-switch is in position "10min". The number on SW1 must be multiplied with 2. For example is SW1 pointing at 4 the time will be $4 \times 2 = 8$ min.

SW2 determine the time from a reset push to pulse alarm when the key-switch is in position "15min". The numbers on SW2 must be multiplied with 3. For example if SW2 is pointing at 6 the time will be $6 \times 3 = 18$ min.

SW3 determine the time from pulse alarm begin until a constantly alarm starts. The numbers on SW3 must be multiplied with 1. For example if SW3 is pointing at 2 the time between the start of pulse- and constantly alarm will be 2 minutes.

Defaults setting are:

SW1 = 5 (10 minutes)

SW2 = 5 (15 minutes)

SW3 = 2 (2 minutes)

Note: Changes don't take place until the watch alarm has been shut off or reset.

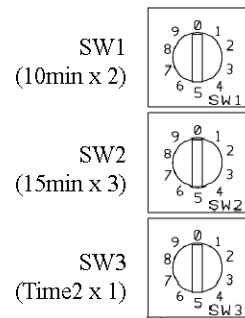


Fig. 3.1.1.

3.2 Configuring of V500DS connected with movement detector

On the Print board inside the V500D/DS is placed a jumper (JP1). This jumper must be removed when the watch alarm is operating with a movement detector. If this jumper is not removed the movement detector is not activated.

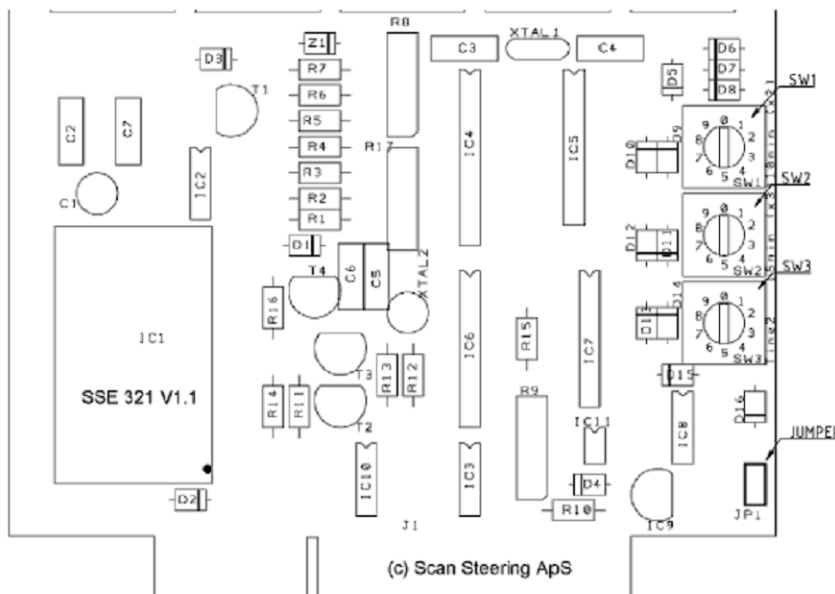


Fig. 3.2.1

4 Functions

4.1 Watch alarm

The watch alarm can be set to operate in one of two presetting (see point 3.1 for configuration) by placing the key-switch in “10 min” or “15 min”. When the selected time run out a pulse alarm will start. Afterwards the next timer will start (selected by SW3. see point 3.1) and when this time runs out a constantly alarm will start. (If any SUB alarms are connected this will start giving alarm as well).

The timers can at any time be restarted by pushing the Reset button. If there is connected a movement sensor to the watch alarm this will restart the alarm every time a movement is detected.

4.2 Emergency alarm

If the reset button is pushed for more then 1 second an emergency alarm is given on all SUB alarms. The alarm can be recognized by the pulse tone. The alarm will go on until the reset button is released again. This alarm function is useful if the mate on the bridges need to call for assistance.

4.3 Power fail alarm

An alarm will be given if the power supply (24Vdc) is cut off, when the watch alarm is on. The alarm is given by the watch alarm and all SUB alarms.

5. Technical data.

Power input: 24Vdc (18 – 36 Vdc)

Fuse: 3.15A fuse

Alarm volume:

Pulse signal: 88dB (on a distance of 30 cm)

Constantly signal: 91dB (on a distance of 30 cm)

5.1 Terminal overview

Terminal number	Description	Terminal number	Description
MAIN +	24Vdc supply from ship battery	50	Reset common (0Vdc)
MAIN -	0Vdc supply from ship battery	51	Reset signal from remote reset
PILOT +	24Vdc Supply for Pilot	52	Alarm lamp for remote reset
PILOT -	0Vdc Supply for Pilot	53	Alarm lamp common (0Vdc)
K	Common for SUB alarm (24Vdc)	SENSOR +	Supply for SENSOR (12Vdc)
L	Alarm signal for SUB alarm (0Vdc)	SENSOR -	GND for SENSOR (0Vdc)
M	On indicator for SUB alarm (0Vdc)	SENSOR C	Common for SENSOR
		SENSOR NC	Signal from SENSOR

5.2 Movement detector

Power supply: 6 – 15 Vdc (supplied from V500DS)

Sensor type: passive infrared / microwave

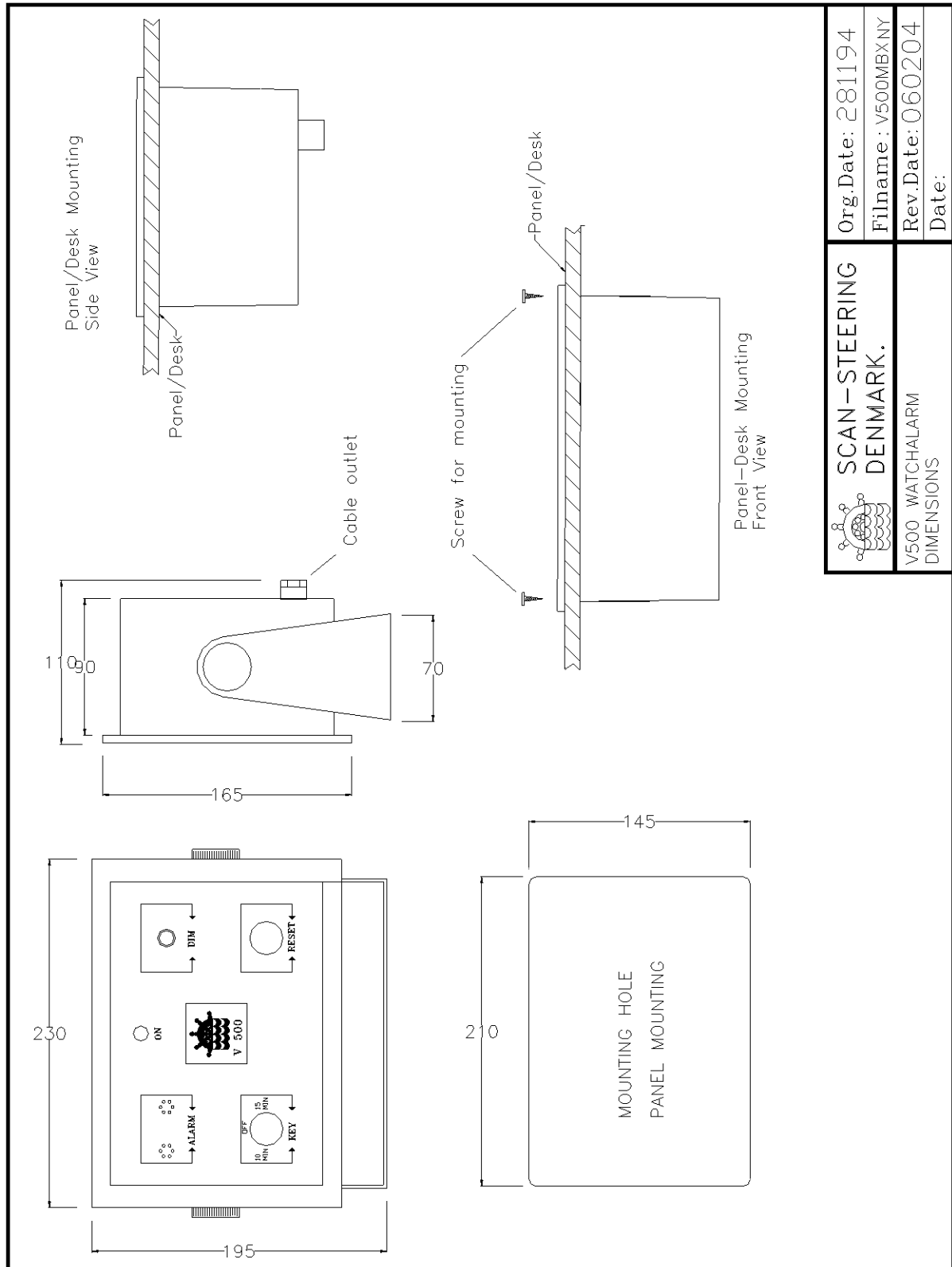
Microwave freq.: 10.525 GHz

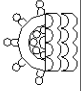
Range: 13m x 13m

Pet friendly: do not response on animals under 45 kg.

Dimensions: 108 x 70 x 46 mm.

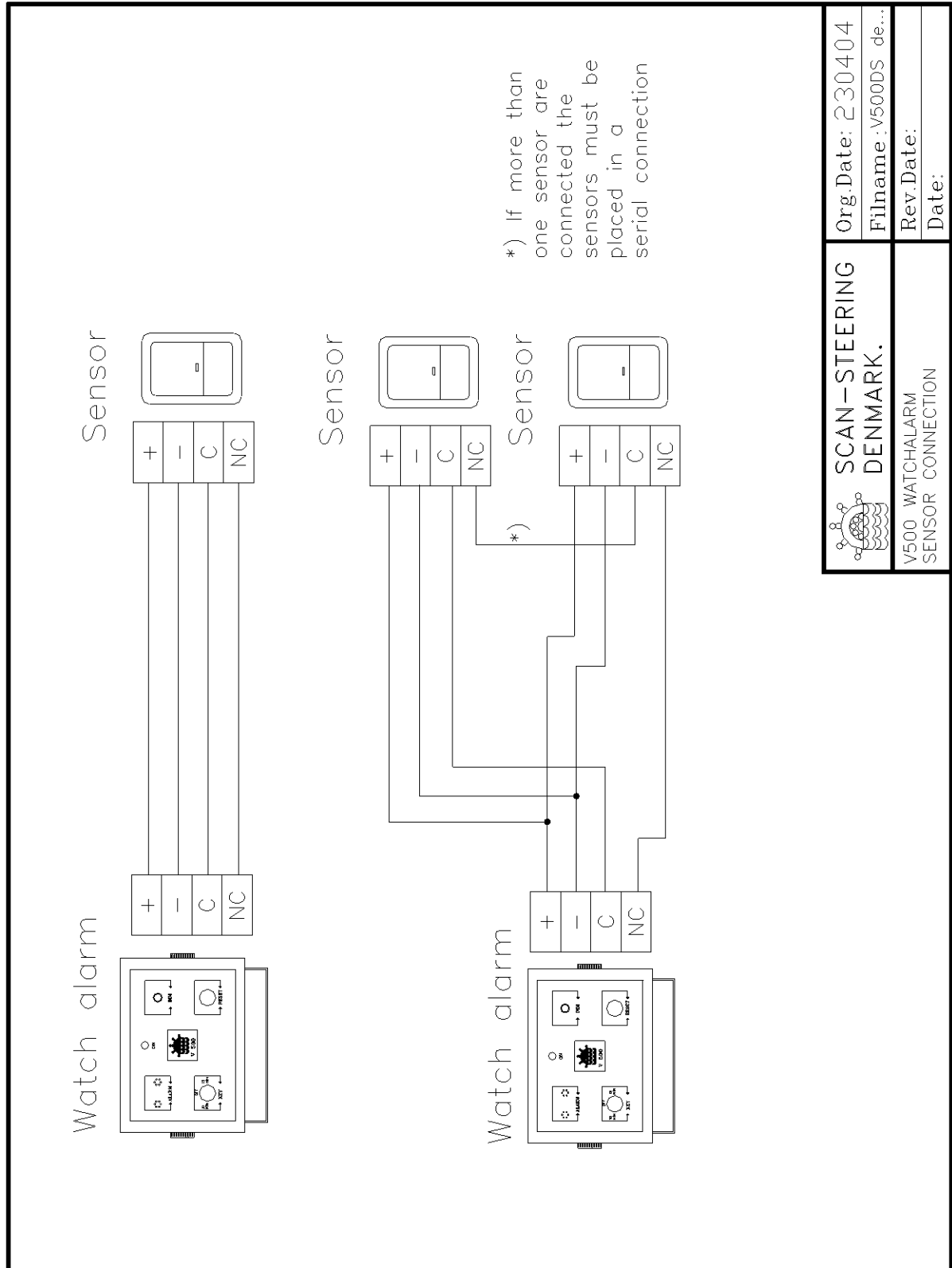
6. Dimensions.



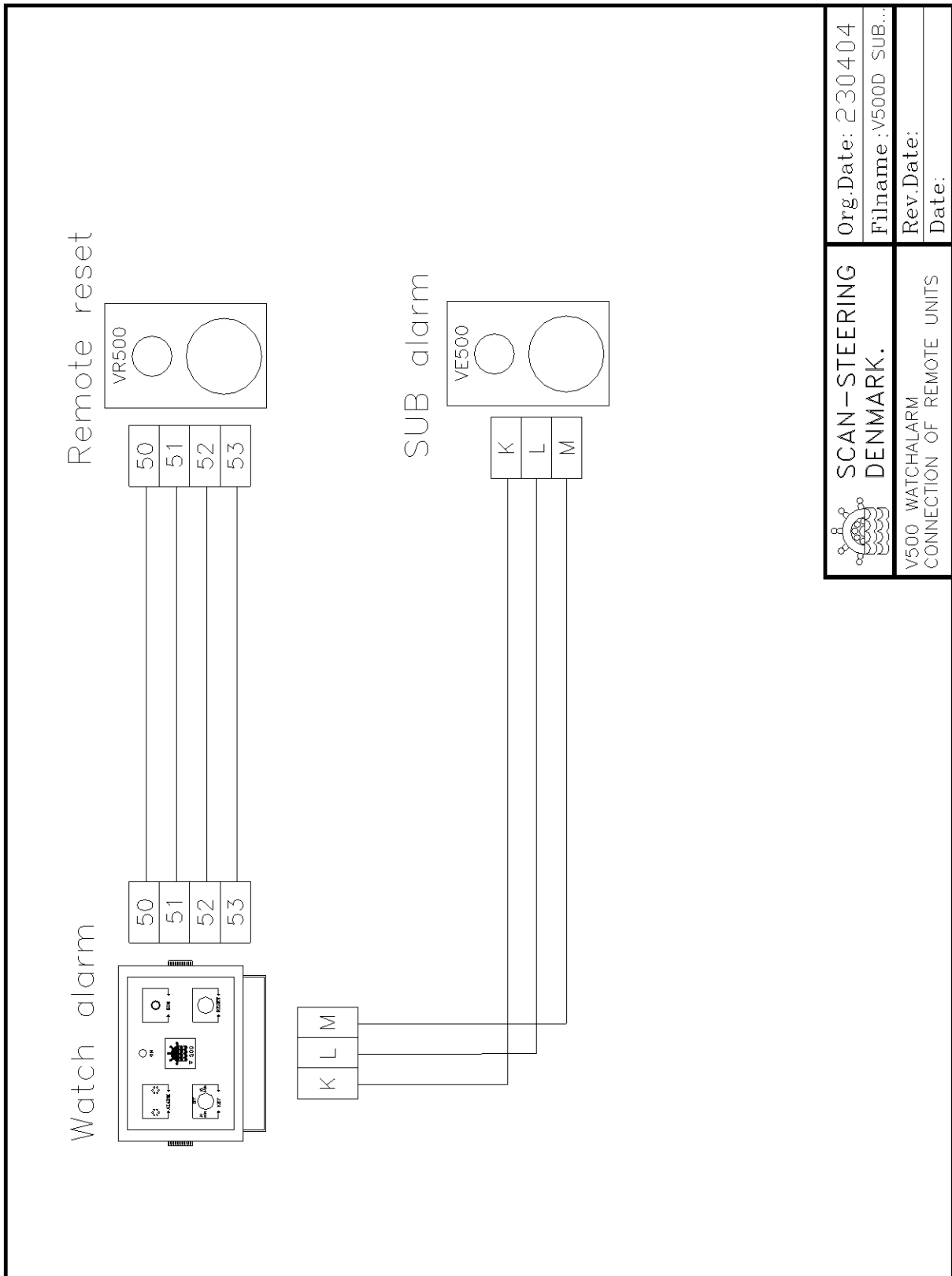
 SCAN-STEERING DENMARK.	Org.Date: 281194
	Filename: V500MBXNY
V500 WATCHALARM DIMENSIONS	Rev.Date: 060204
	Date:

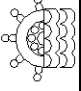
7. Connection of detectors.

The V500DS can be connected with one or more movement detectors (max 3 pcs.). Figure 7.1 below shows the wiring.



8. Connection of remote units



 SCAN-STEERING DENMARK.	Org.Date: 230404
	Filename: V500D SUB...
V500 WATCHALARM CONNECTION OF REMOTE UNITS	Rev.Date:
	Date: